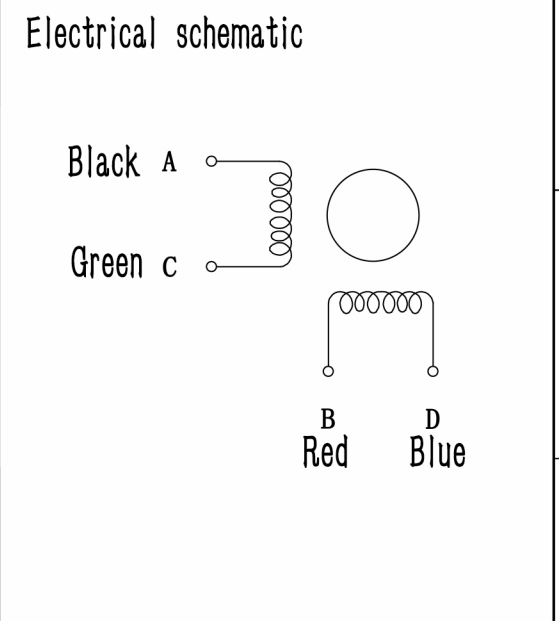


Motor characteristic	
Projects	Specifications
Rated voltage	1.84 VDC
Rated current	2.0 Amp
Pitch Angle	1.8° ±0.09°
Phase number	2
DC cold resistance (25 ° C)	0.92±0.1 Ω
Winding inductance	1.9±20% mH
Maximum Holding Torque	450 mN.m Typ.
Insulation Resistance	≥ 100 MΩ (DC500V)
Insulation Grade	Class B
Moment of inertia	57 g.cm ²
Mass.	0.27 kg REF.



		The dimensions specified in the drawing shall prevail		Comparison table for undimensioned tolerance		 Shenzhen Ruiqiang Technology co. LTD			
		Unit:mm	Proportion:1:1	0°				0	±0.2
		Item number:A2606BJ003A		0.0°				0.0	±0.1
		Motor Model: RQ42HS40-2004A		0.00°		0.00			
						Title		Contour drawing	
						Design/date			
						Audit/date			
						Approval/date			
A	Initial release.			2021.06.05					
Version	Change content			Date of issue	Drawing number:		Page 1, total 1 page	Version: A	